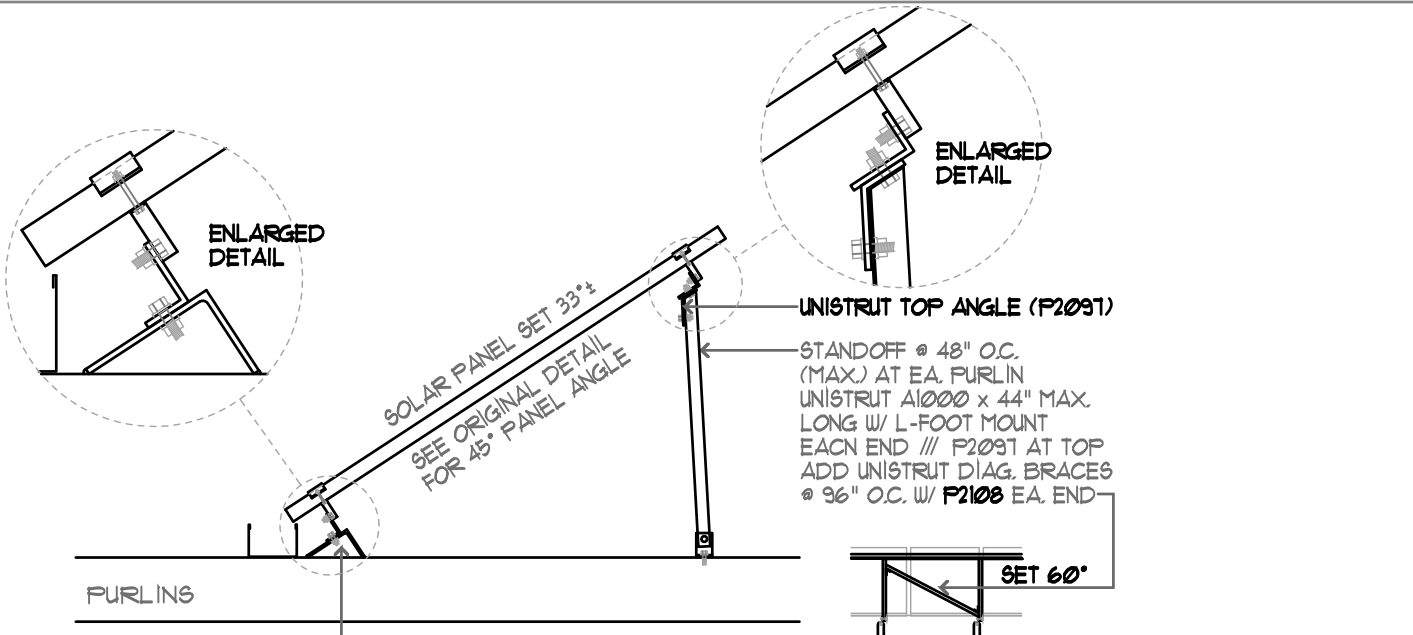


SHASTA COMMUNITY HEALTH CENTER
1035 PLACER STREET

LOCATION: REDDING, CA

DATE: 11 AUG. 2010



CONDITION W/ 6"x4"x1/4"x3" LONG STEEL ANGLE AS SHOWN FOR 33° ±
SIMILAR CONDITIONS ARE SHOWN BELOW

INSTALL L FOOT PRIOR TO WELD ANGLE TO PURLIN AT LOWER ANGLES

PANEL BTM SHALL EXTEND OVER GUTTER, TYP.

PROVIDE SHALLOW TYPE NUT AT TIGHT SPACE, VERIFY DEPTH

	• 6"x3 1/2"x1/4"x3" LONG STEEL ANGLE = 29.5° ±
	• 6"x3"x1/4"x3" LONG STEEL ANGLE = 25.6° ±
	• 6"x2 1/2"x1/4"x3" LONG STEEL ANGLE = 21.3° ±
	• 6"x2"x1/4"x3" LONG STEEL ANGLE = 16.9° ±
	• 6"x1 1/2"x1/4"x3" LONG STEEL ANGLE = 12.3° ±

	• 6"x1"x1/4"x3" LONG STEEL ANGLE = 7.5° ±
	• 6"x3/4"x1/4"x3" LONG STEEL ANGLE = 5° ±

UNISTRUT TOP ANGLE PART & ANGLE DIAG. BRACES PART & ANGLE

F2096 = 67.5°	F2107 = 67.5°
F2096 = 67.5°	F2106 = 75°
F2095 = 75°	F2106 = 75°
F2095 = 75°	F2105 = 82.5°
F2094 = 82.5°	F2105 = 82.5°

F2094 = 82.5° OR A1026 = 90°
A1026 = 90°

MODIFY F2108 FIELD VERIFY ANGLE
MODIFY F2108 FIELD VERIFY ANGLE

- * SOLAR PANEL INSTALLATION ANGLE SUBJECT TO CHANGE WITH NO EXTRA COST WILL BE ALLOWED. SEE ADDITIONAL DETAILS ABOVE. REFER TO ORIGINAL DETAIL PLAN NOTES ON SHEET S3.1 OTHERWISE CHANGES ARE INDICATED.
- * CONTRACTOR TO VERIFY UNISTRUT PARTS AND APPLICABLE ANGLES VERIFYING WITH ACTUAL FIELD MEASUREMENTS
- * ANGLE FOOT SMALLER THAN 6"x4" SHALL BE TRIMMED FROM 6"x4"x1/4"x3" LONG STEEL ANGLE
- * CONTRACTOR TO VERIFY CUT & DRILL HOLES LOCATIONS OF A1000 UNISTRUTS AT THE FIELD MEASUREMENTS WITH SNUG FIT INTO ANGLES, TYP.
- * CONTRACTOR TO PROVIDE SHOP DRAWINGS FOR ARCHITECT'S REVIEW AND APPROVAL

ORIGINAL DETAIL ON SHEET S3.1

SOLAR PANEL ANCHORAGE
NO SCALE

AD4.1