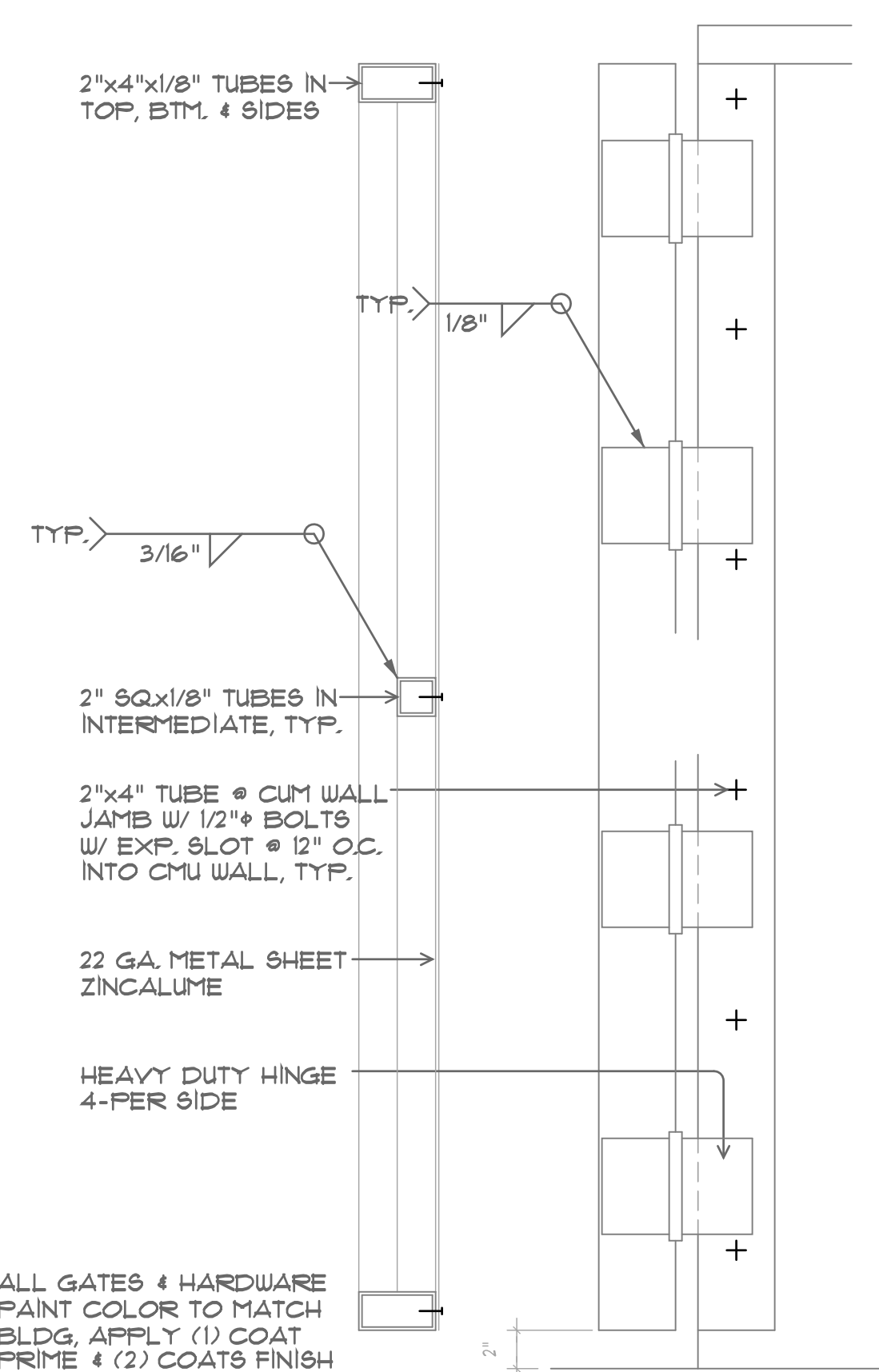
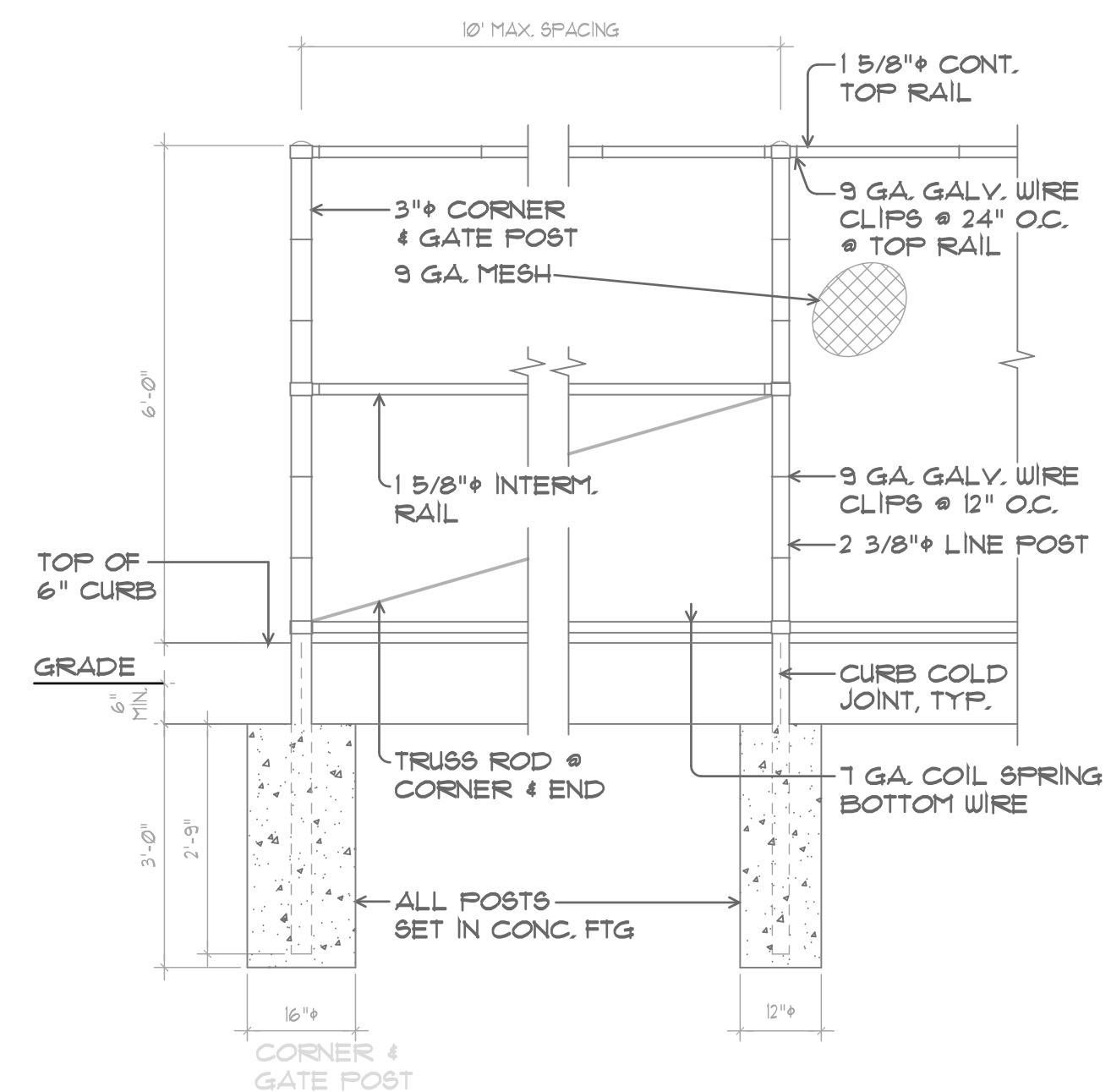


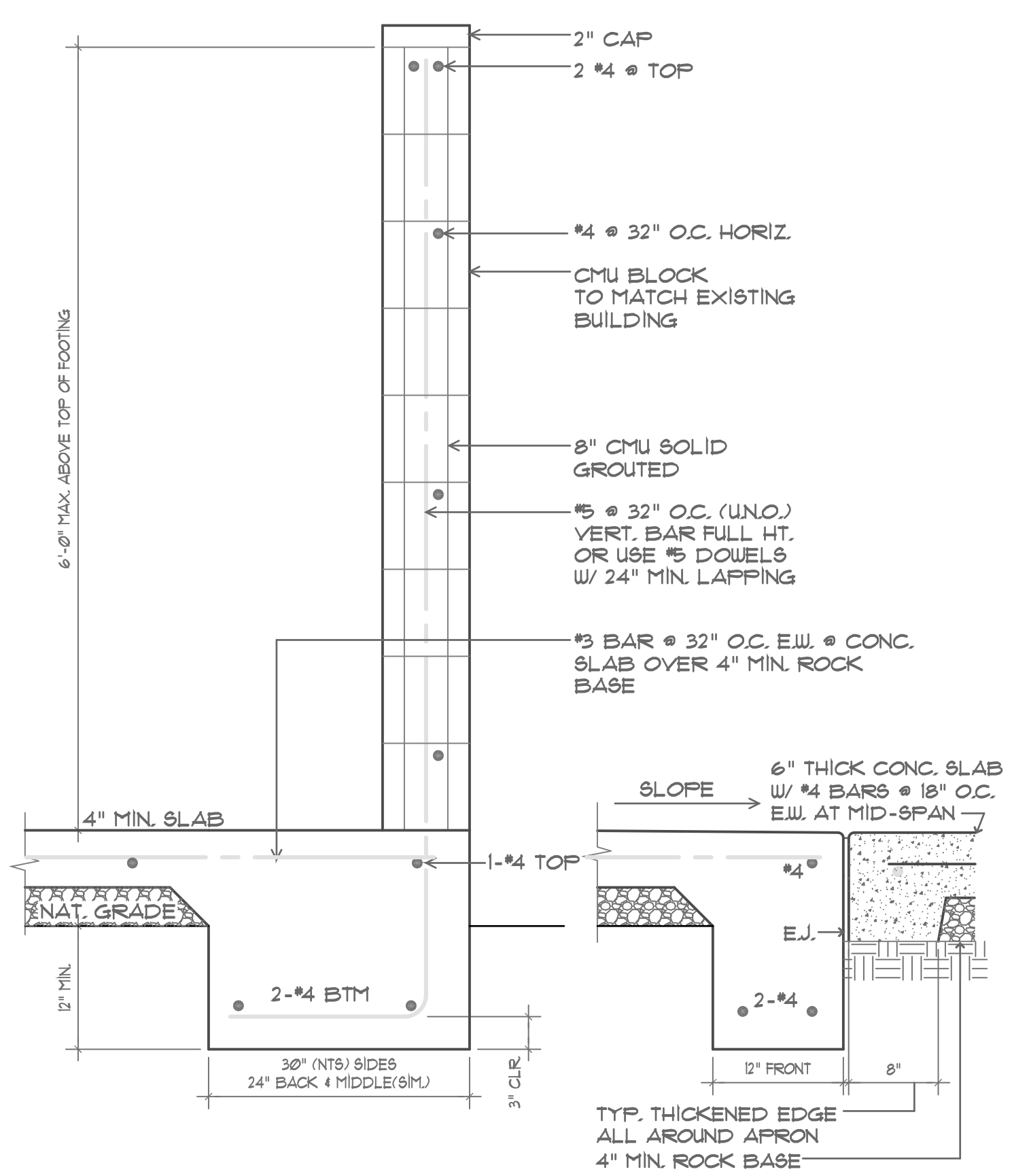
11 TRASH ENCLOSURES & APRON
A-12 SCALE: 1/4"=1'-0"



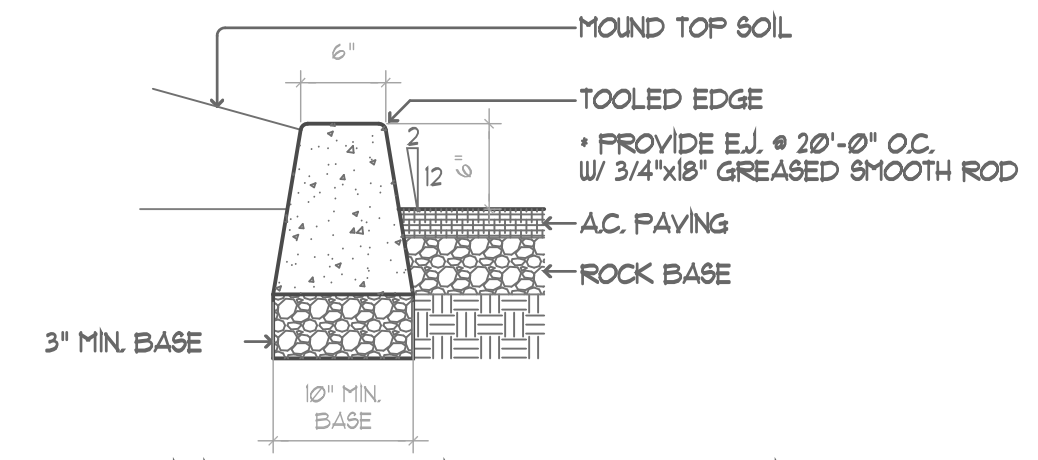
13 METAL DOOR & JAMB DETAIL
A12 NO SCALE



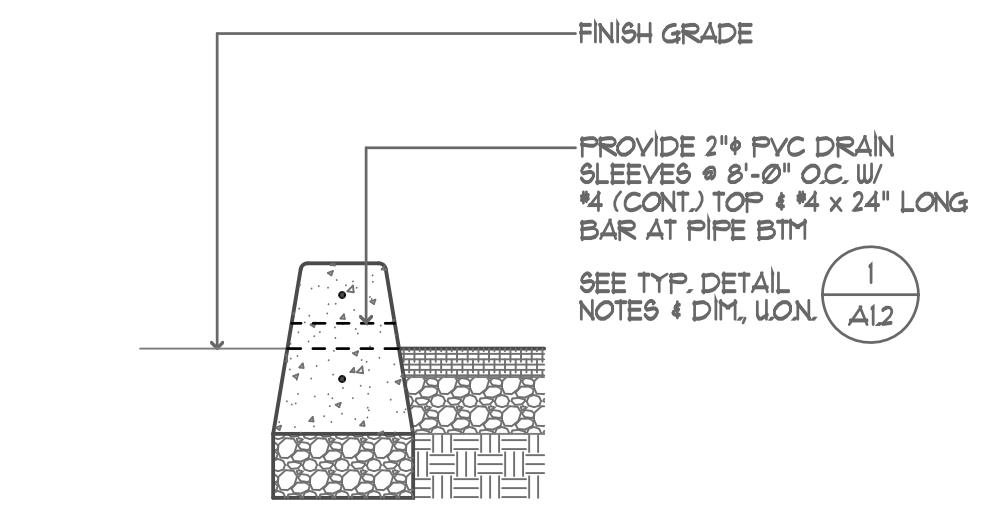
5 CHAIN LINK FENCE
A12 SCALE: 1/2"=1'-0"



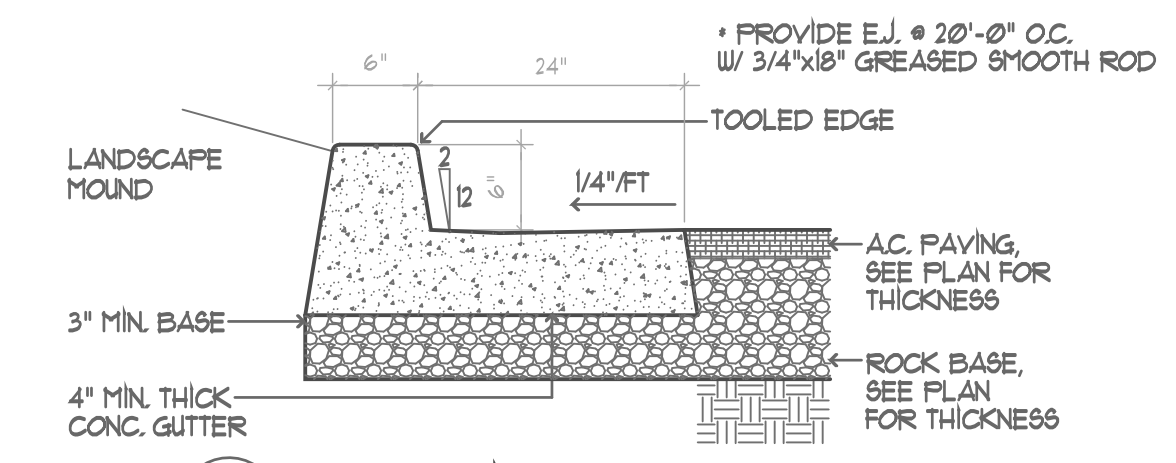
12 TRASH ENCL. CMU WALL DETAIL
A12 SCALE: 1"=1'-0"



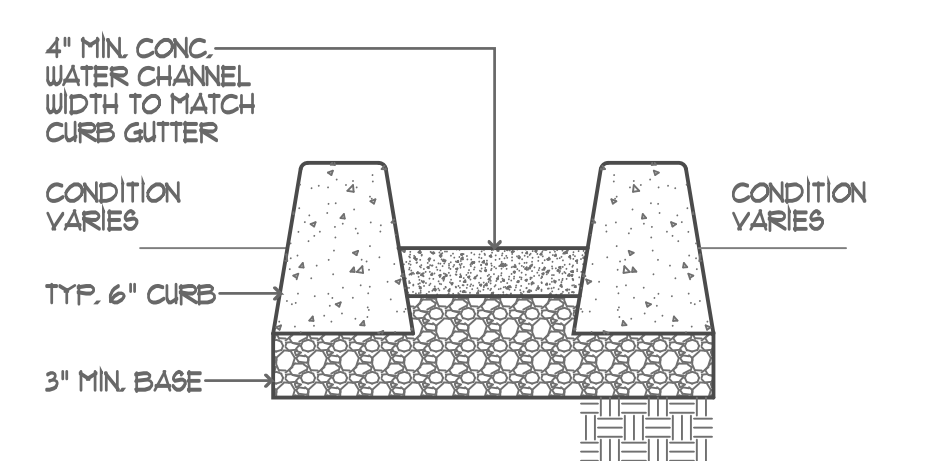
1 PARKING & PLANTER CURB
A12 NO SCALE



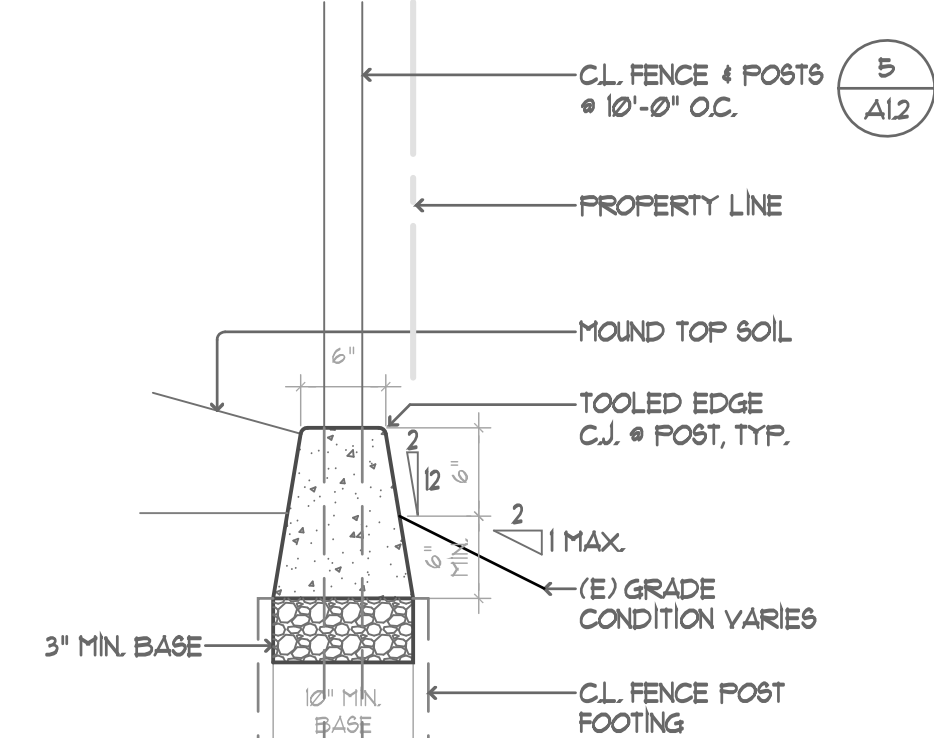
11 PARKING & PLANTER CURB
A12 NO SCALE



2 AC PAVING TO CURB GUTTER
A12 NO SCALE



3 CURB / WATER CHANNEL
A12 NO SCALE



4 PLANTER CURB AT CL FENCE
A12 SCALE: 1"=1'-0"

Ronald Beyer Architect



Lakeside Plaza
2515 Park Marina Drive
Suite 205

Post Box 1154
Redding, Ca 96099

530 241 7067

Photovoltaic Panel
Structure and
Parking Addition

for The

Shasta
Community
Health
Center

Located at

1035 Placer Street
Redding, Ca

A1.2

23 DEC. 2009

SITE DETAILS, TRASH ENCLOSURES



THE DESIGNS AND DRAWINGS BY RONALD BEYER, ARCHITECT ARE COPYRIGHTED AS CREATED. THEY ARE PROTECTED UNDER THE 1990 ARCHITECTURAL WORKS COPYRIGHT PROTECTION ACT. THE DRAWINGS AND DESIGNS CREATED UNDER THIS AGREEMENT MAY NOT BE REPRODUCED OR USED WITHOUT THE EXPRESSED WRITTEN PERMISSION OF RONALD BEYER, ARCHITECT.

© RONALD BEYER, ARCHITECT 2009.